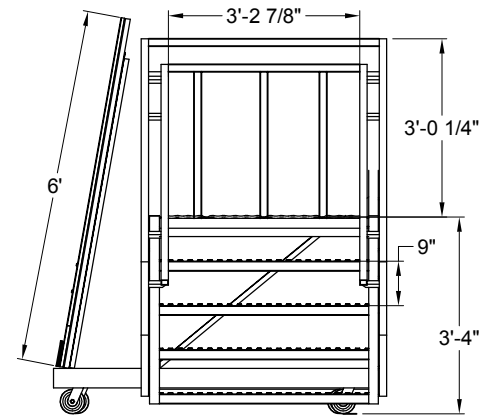
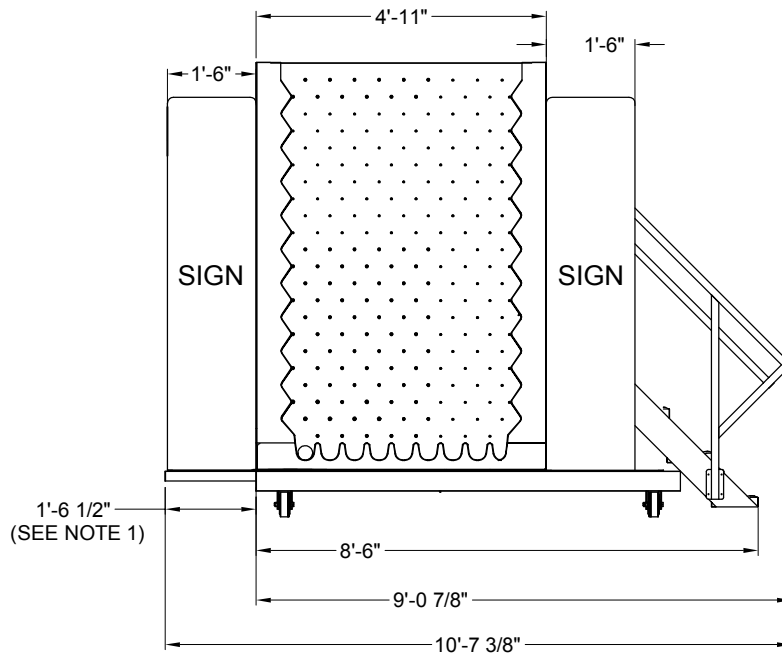
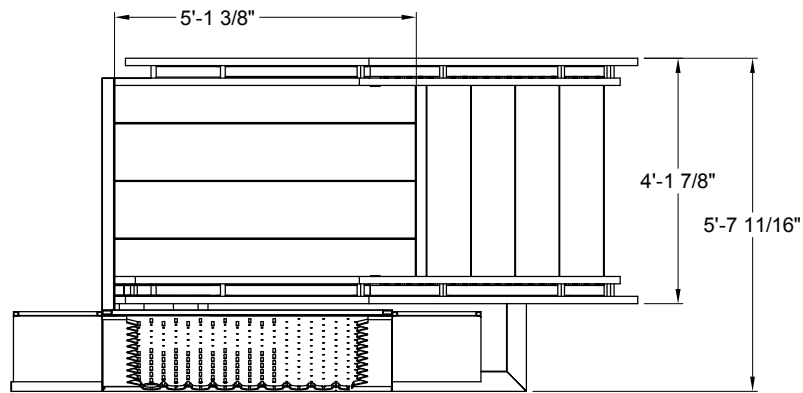


PLINK02-03



NOTE:

1 - SIGN REMOVABLE IF NEEDED.

UNLESS OTHERWISE SPECIFIED DIMENSIONS ARE IN INCHES INTERPRET DIMENSIONS AND TOLERANCES PER ASME Y14.5M-1994				
PROPRIETARY AND CONFIDENTIAL THE INFORMATION CONTAINED IN THIS DRAWING IS THE SOLE PROPERTY OF BOB'S SPACE RACERS. ANY REPRODUCTION OR DISTRIBUTION TO 3RD PARTIES IN PART OR AS A WHOLE WITHOUT THE WRITTEN PERMISSION OF BOB'S SPACE RACERS IS PROHIBITED. VENDORS SIGNING THE VENDOR ACCEPTANCE FIELD AGREE TO THESE TERMS AND CONDITIONS.				
<h1><< BOB'S SPACE RACERS >></h1>				
PART NAME PLINK DROP 6 X 5 - SINGLE SIDE				
ENGINEERING APPROVAL 	VENDOR ACCEPTANCE 	DRAWN BY BSK DATE 1-15-15	PART NO. 	REVISION
FRONT 			MATERIAL 	REVISION DATE
SHEET 1 OF 1			TOLERANCE: +/- UNLESS OTHERWISE NOTED	
DO NOT SCALE DRAWING				