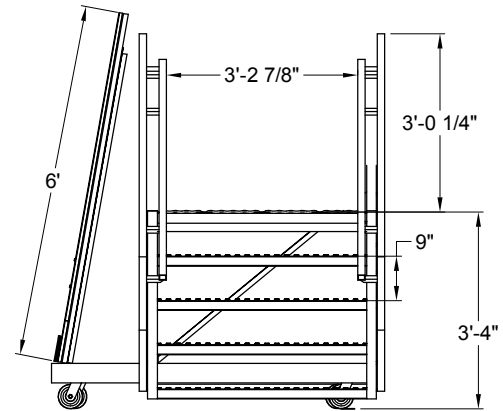
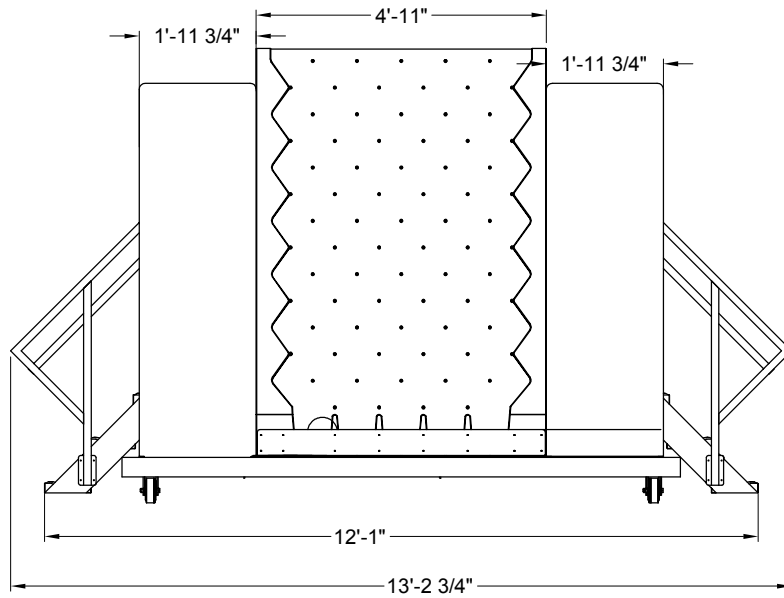
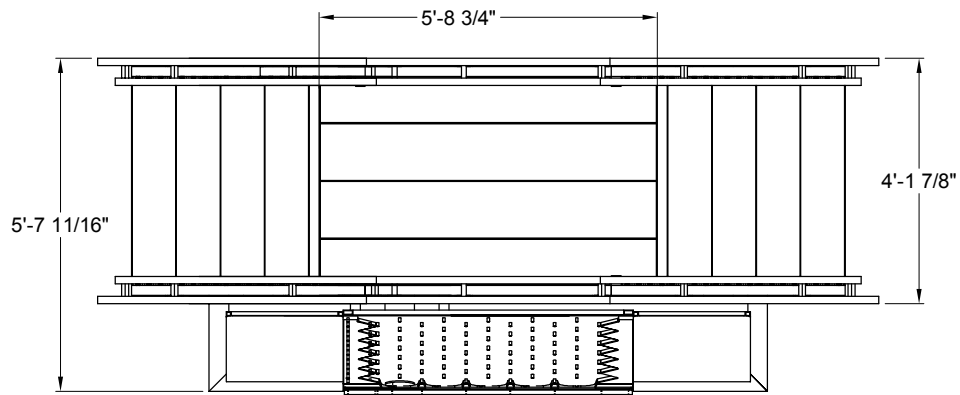


PLINK01-03



<p>UNLESS OTHERWISE SPECIFIED DIMENSIONS ARE IN INCHES INTERPRET DIMENSIONS AND TOLERANCES PER ASME Y14.5M-1994</p>				
<h2><< BOB'S SPACE RACERS >></h2>				
<p>PROPRIETARY AND CONFIDENTIAL THE INFORMATION CONTAINED IN THIS DRAWING IS THE SOLE PROPERTY OF BOB'S SPACE RACERS. ANY REPRODUCTION OR DISTRIBUTION TO 3RD PARTIES IN PART OR AS A WHOLE WITHOUT THE WRITTEN PERMISSION OF BOB'S SPACE RACERS IS PROHIBITED. VENDORS SIGNING THE VENDOR ACCEPTANCE FIELD AGREE TO THESE TERMS AND CONDITIONS.</p>				
<p>SHEET 1 OF 1</p>				
<p>PART NAME</p> <p style="text-align: center;">PLINK DROP 6 X 5</p>		<p>ENGINEERING APPROVAL</p> <p>DATE</p> <p style="text-align: center;">BSK</p> <p style="text-align: center;">1-13-15</p>		
<p>VENDOR ACCEPTANCE</p>		<p>PART NO.</p>		<p>REVISION</p>
<p>FORM</p>		<p>MATERIAL</p>		<p>REVISION DATE</p>
<p>DO NOT SCALE DRAWING</p>			<p>TOLERANCE: +/- UNLESS OTHERWISE NOTED</p>	