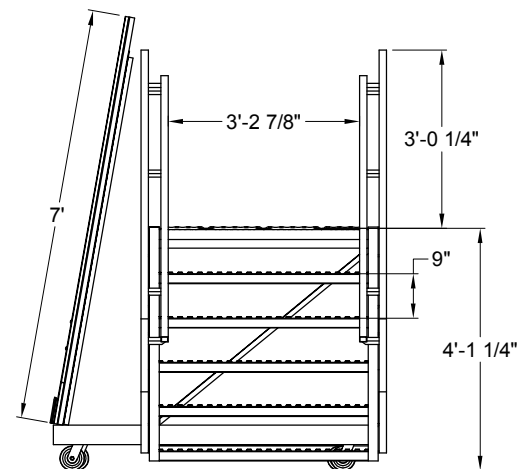
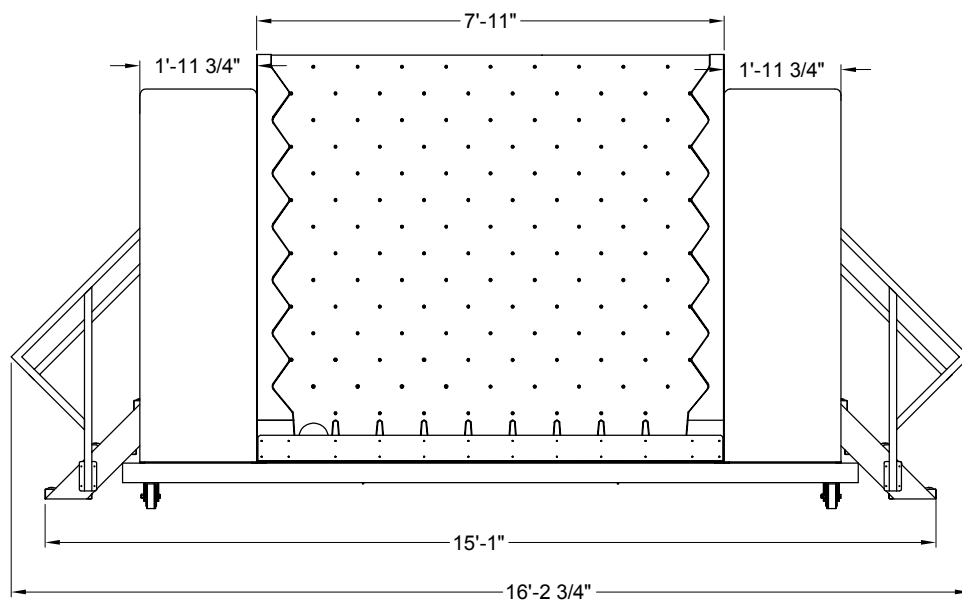
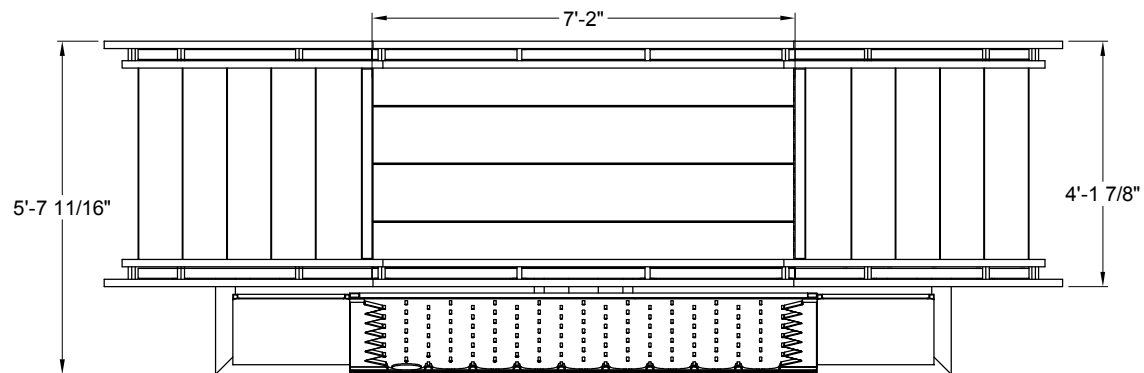


PLINK01-01



<p>UNLESS OTHERWISE SPECIFIED DIMENSIONS ARE IN INCHES INTERPRET DIMENSIONS AND TOLERANCES PER ASME Y14.5M-1994</p>				
<p><< BOB'S SPACE RACERS >></p>				
<p>PROPRIETARY AND CONFIDENTIAL THE INFORMATION CONTAINED IN THIS DRAWING IS THE SOLE PROPERTY OF BOB'S SPACE RACERS. ANY REPRODUCTION OR DISTRIBUTION TO 3RD PARTIES IN PART OR AS A WHOLE WITHOUT THE WRITTEN PERMISSION OF BOB'S SPACE RACERS IS PROHIBITED. VENDORS SIGNING THE VENDOR ACCEPTANCE FIELD AGREE TO THESE TERMS AND CONDITIONS.</p>				
PART NAME		PLINK DROP 7 X 8		
ENGINEERING APPROVAL	VENDOR ACCEPTANCE	DRAWN BY BSK	PART NO.	REVISION
		DATE 1-13-15		
FINISH		MATERIAL		REVISION DATE
SHEET 1 OF 1		DO NOT SCALE DRAWING TOLERANCE: +/- UNLESS OTHERWISE NOTED		