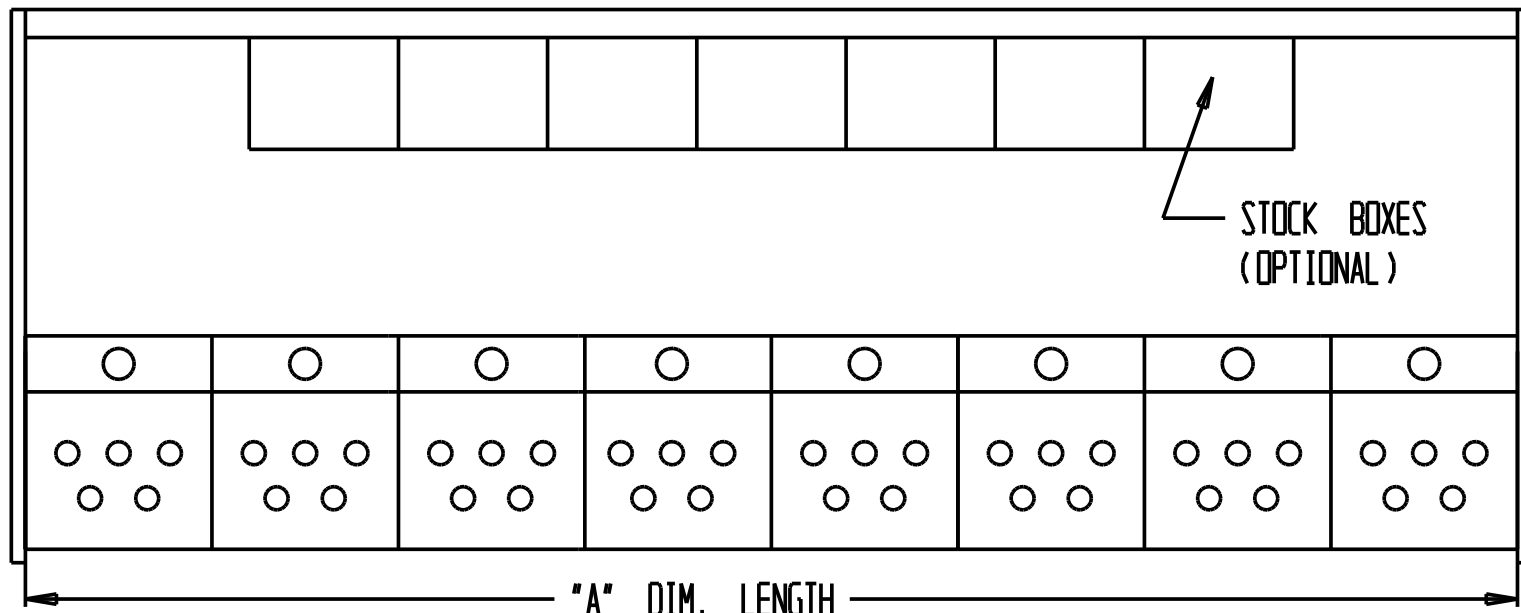


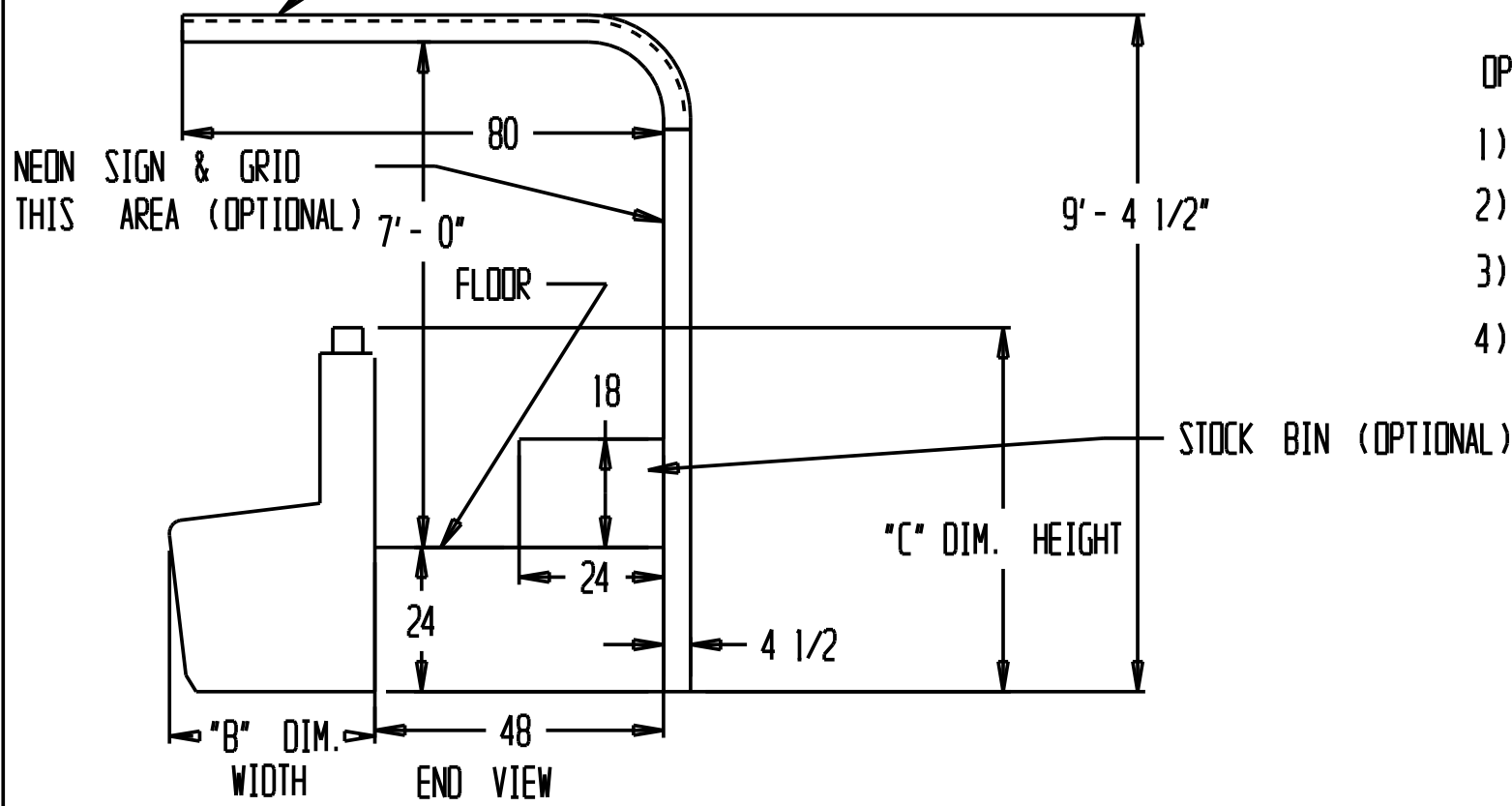
GAME WHAC-A-HOLE - PARK - LINE-UP  
 DESC. B. S. R. WHAC-A-HOLE FULLY EQUIPPED  
 DATE 05-19-2005 REV. A  
 APPROVED SALES DATE 05-19-2005  
 B. S. R. SALES STANDARD  
 DWG. NO. PART WHACAM99-02



LIGHTS (OPTIONAL) — "A" DIM. LENGTH — TOP VIEW

GAME SIZE	"A" DIM. LENGTH	"B" DIM. WIDTH	"C" DIM. HEIGHT
6 UNIT	180	34 3/8	60 1/2
7 UNIT	210	34 3/8	60 1/2
8 UNIT	240	34 3/8	60 1/2
9 UNIT	270	34 3/8	60 1/2
10 UNIT	300	34 3/8	60 1/2
11 UNIT	330	34 3/8	60 1/2
12 UNIT	360	34 3/8	60 1/2

NOTE: INCLUDED AIR COMPRESSOR



OPTIONAL EQUIPMENT

- 1) STOCK BOXES
- 2) OVERHEAD LIGHTS
- 3) NEON SIGN
- 4) GRID PACKAGE

POWER REQMT.		GAME SIZE
220V	110 V	
20 AMP	( 2 ) 15 AMP	6 UNIT
20 AMP	( 2 ) 15 AMP	7 UNIT
20 AMP	( 3 ) 15 AMP	8 UNIT
20 AMP	( 3 ) 15 AMP	9 UNIT
20 AMP	( 3 ) 15 AMP	10 UNIT
20 AMP	( 4 ) 15 AMP	11 UNIT
20 AMP	( 4 ) 15 AMP	12 UNIT