



PARK MODEL



STINKY FEET

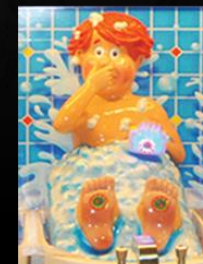


BSR has done it again.... Fun, exciting, different, and simple game play that works! Stinky Feet™ is a hilarious new multi-target water race game. Just follow the light pattern, be the first to reach the needed score and you win!!! This is a one of a kind game and a **MUST HAVE** for your operation.

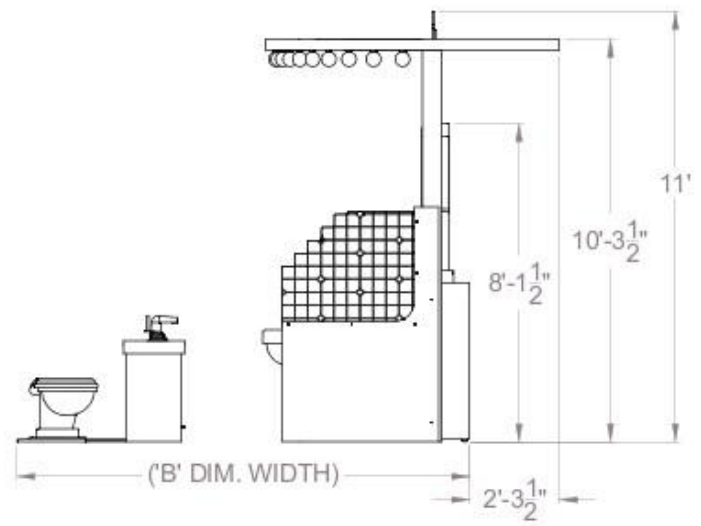
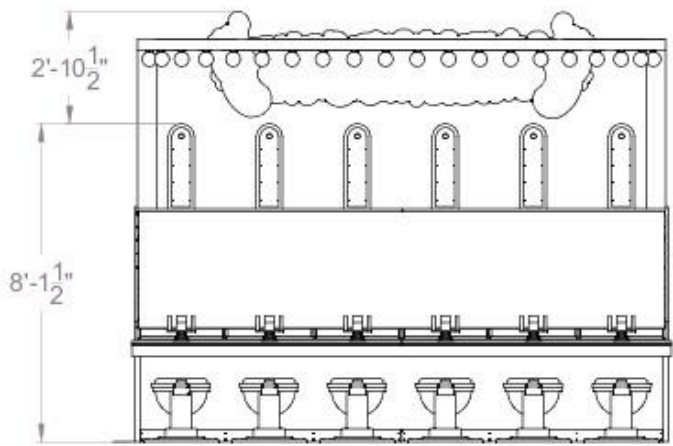
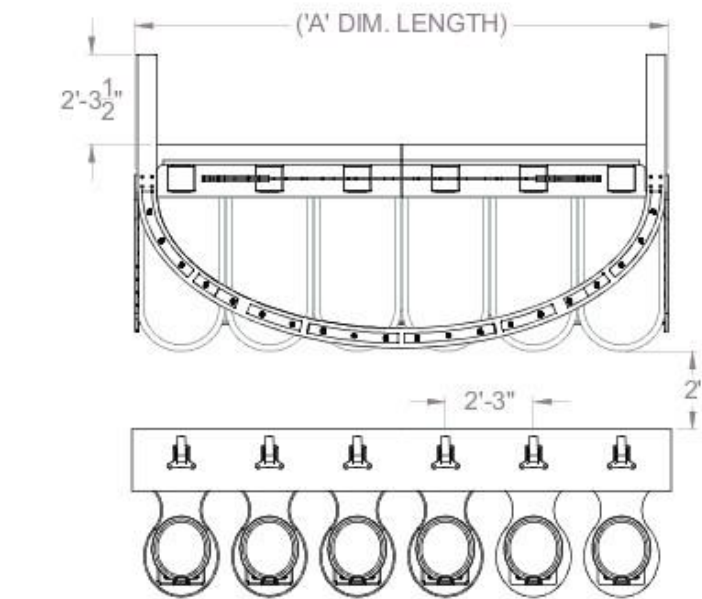
BSR Park Model Games are fully customizable with complete choices of colors, themes, toys, player positions, and layout configurations. Show us your location needs and BSR can place a proven moneymaker into your facility!

Additional Game Features:

- Complete game Accounting System
- Multiple targets with progressive speed.
- Self contained & easy to maintain water system.
- BSR's dependable & easily serviced electronics.
- Custom theming is available.



**** Available in Kid or Duck theme.**



POWER REQMT. W/O LIGHTS	GAME SIZE	'A' DIM. LENGTH	'B' DIM. WIDTH
(1) 110V - 20 AMP (1) 220V - 20 AMP	5 UNIT	136 1/2"	139"
(1) 110V - 20 AMP (1) 220V - 20 AMP	6 UNIT	163 1/2"	139"
(1) 110V - 20 AMP (1) 220V - 20 AMP	7 UNIT	190 1/2"	139"
(1) 110V - 20 AMP (1) 220V - 20 AMP	8 UNIT	217 1/2"	139"
(1) 110V - 20 AMP (1) 220V - 20 AMP	9 UNIT	244 1/2"	139"
(1) 110V - 15AMP (1) 110V - 20AMP (1) 220V - 20AMP	10 UNIT	271 1/2"	139"
(1) 110V - 15AMP (1) 110V - 20AMP (1) 220V - 20AMP	11 UNIT	298 1/2"	139"
(1) 110V - 15AMP (1) 110V - 20AMP (1) 220V - 20AMP	12 UNIT	325 1/2"	139"

UNLESS OTHERWISE SPECIFIED
DIMENSIONS ARE IN INCHES

INTERPRET DIMENSIONS AND
TOLERANCES PER ASME Y14.5M-1994

PROPRIETARY AND CONFIDENTIAL
THE INFORMATION CONTAINED IN THIS DRAWING
IS THE SOLE PROPERTY OF HONS SPACE INCORS.
ANY REPRODUCTION OR DISTRIBUTION TO ANY
PARTY IN PART OR AS A WHOLE WITHOUT THE
WRITTEN PERMISSION OF HONS SPACE INCORS.
IS PROHIBITED. VENDORS SIGNING THE WORK
ACCEPTANCE FIELD AGREE TO THESE TERMS
AND CONDITIONS.

SHEET 1 OF 1