



PARK MODEL

LONG RANGE BASKETBALL

HOT SHOT

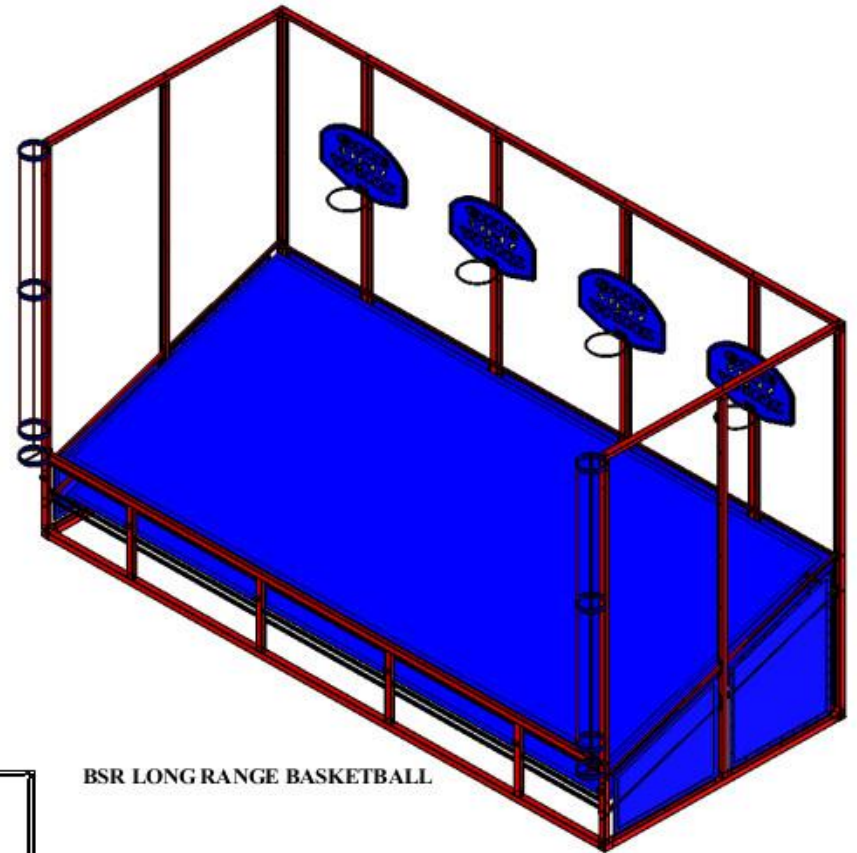
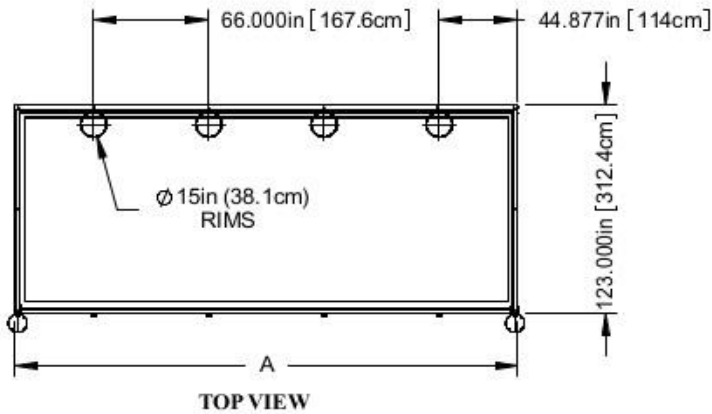


Long Range Basketball is a must for any location that wants to turn **BIG REVENUE**. long Range Basketball is a proven revenue producing game that would be perfect for nearly any location!

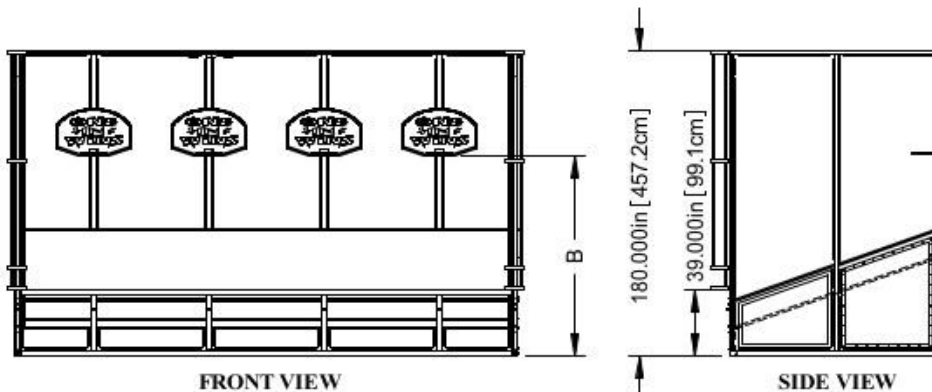
Available Options:

- Interior or Exterior Counters
- Custom signage and theming available.
- Stock bins





BSR LONG RANGE BASKETBALL



SIZE	A	B MIN	B STD SETTING	B MAX
3 UNIT	222in (563.9cm)	114in (289.6cm)	120in (304.8cm)	132in (335.3cm)
4 UNIT	288in (731.5cm)	114in (289.6cm)	120in (304.8cm)	132in (335.3cm)
5 UNIT	354in (899.2cm)	114in (289.6cm)	120in (304.8cm)	132in (335.3cm)

STANDARD EQUIPMENT		OPTIONAL EQUIPMENT	
BSR LONG RANGE PAINTED STEEL FIXTURE	2 - 1500 WATT QUARTZ LIGHTS	BSR FRONT ASSEMBLY (18"W X 30"H PLATIC TOP	
CANVAS BOTTOM PANEL BALL RETURN	2 - 500 WATT QUARTZ LIGHTS	3 BALL COUNTER BALL RACK LARGE 8" X 28"	
CANVAS LOWER COVERINGS FOR FIXTURE	FLAG, POLES EMT FOR TOP RAIL W/SMALL FLAGS	2 - 400 WATT METAL HALIDE LIGHTS	
NETTING UPPER COVERINGS FOR FIXTURE STD.		2 - 175 WATT METAL HALIDE LIGHTS	
BSR LARGE STYLE "I" IN WINS" CNC BACKBOARD		2 - FRONT CORNER DISPLAY TUBES	
15" RIMS			
15" X 16" WINNER NETS FOR RIMS			
9" REGULATION BALLS (3PER UNIT)			
LOWER CANVAS DOUBLE LAYER BALL STORAGE			

UNLESS OTHERWISE SPECIFIED
DIMENSIONS ARE IN INCHES
INTERPRET DIMENSIONS AND
TOLERANCES PER ASME Y14.9M-1994

PROPRIETARY AND CONFIDENTIAL
THE INFORMATION CONTAINED IN THIS DRAWING IS THE SOLE PROPERTY OF BOB'S SPACE RACERS. ALL RIGHTS RESERVED. IT IS TO BE USED ONLY FOR THE PURPOSES SPECIFIED HEREIN. NO PART OF THIS DRAWING IS TO BE REPRODUCED OR TRANSMITTED IN ANY FORM OR BY ANY MEANS, ELECTRONIC OR MECHANICAL, INCLUDING PHOTOCOPYING, RECORDING, OR BY ANY INFORMATION STORAGE AND RETRIEVAL SYSTEM, WITHOUT THE WRITTEN PERMISSION OF BOB'S SPACE RACERS. UNLESS OTHERWISE NOTED, ALL DIMENSIONS ARE TO FACE UNLESS OTHERWISE SPECIFIED.

<< BOB'S SPACE RACERS >>

LONG RANGE 4 PLAYER

DATE	BY	REVISED	BY
12-12-07	BSK	*	A

FINISH	PAINT	TOLERANCE	±, * UNLESS OTHERWISE NOTED
--------	-------	-----------	-----------------------------

SHEET 1 OF 1

DO NOT SCALE DRAWING