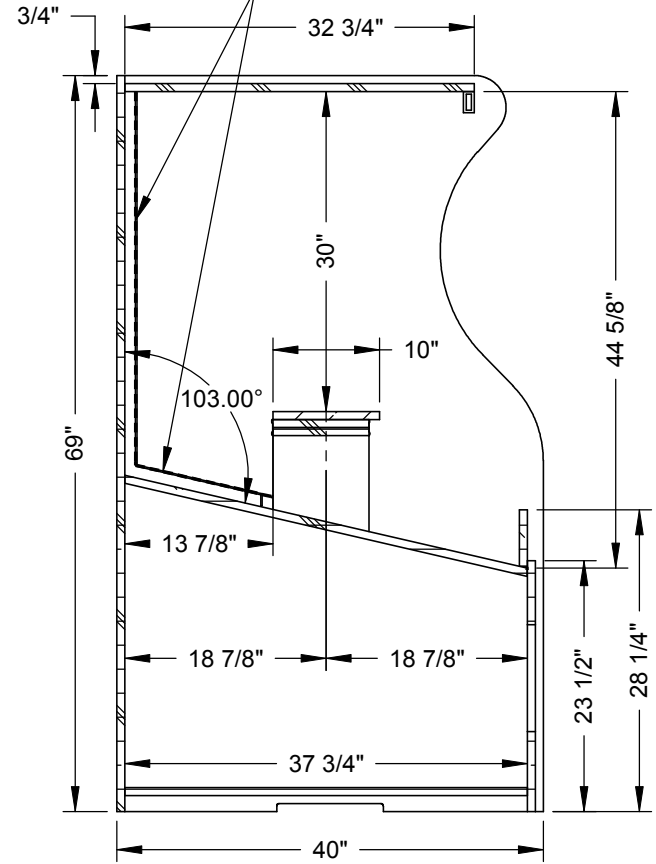
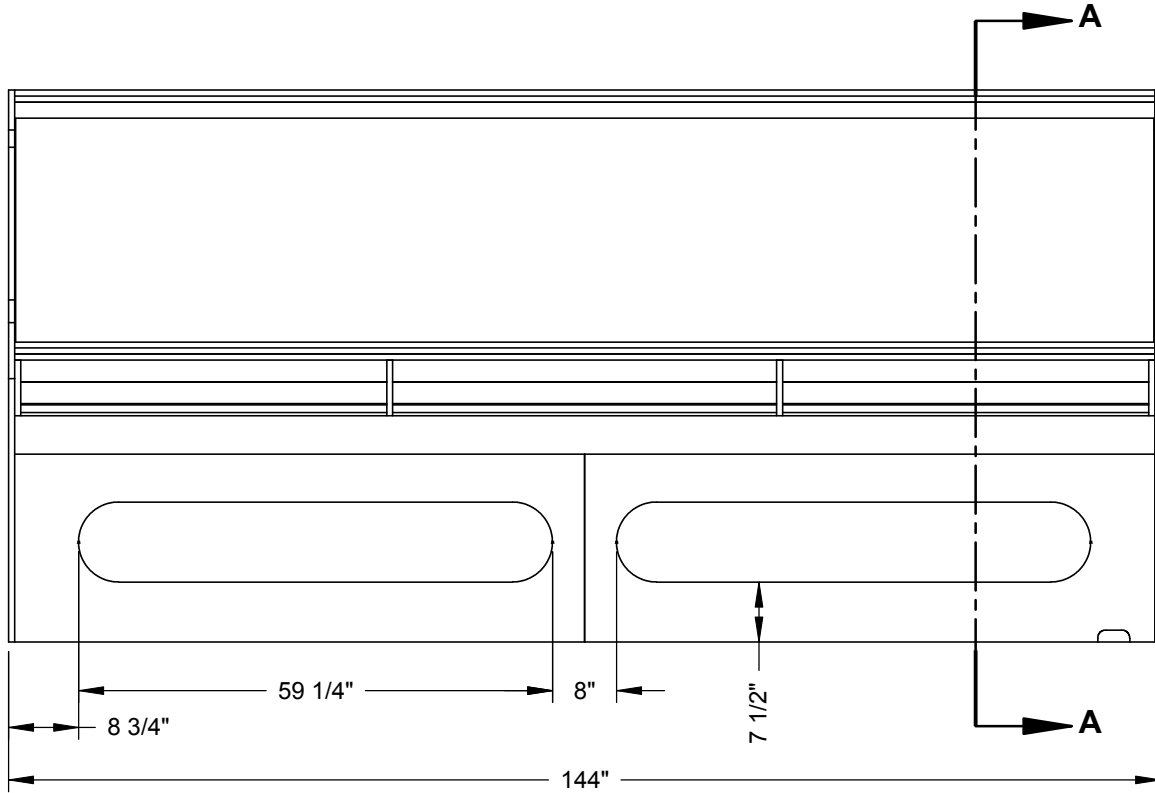


UNLESS OTHERWISE SPECIFIED DIMENSIONS ARE IN INCHES		<< BOB'S SPACE RACERS >>			
INTERPRET DIMENSIONS AND TOLERANCES PER ASME Y14.5M-1994		CAN SMASH GAME CABINET 12'			
PROPRIETARY AND CONFIDENTIAL THE INFORMATION CONTAINED IN THIS DRAWING IS THE SOLE PROPERTY OF BOB'S SPACE RACERS. ANY REPRODUCTION OR DISTRIBUTION TO 3RD PARTIES IN PART OR AS A WHOLE WITHOUT THE WRITTEN PERMISSION OF BOB'S SPACE RACERS IS PROHIBITED. VENDORS SIGNING THE VENDOR ACCEPTANCE FIELD AGREE TO THESE TERMS AND CONDITIONS.		PART NAME		PART NO.	
		ENGINEERING APPROVAL		VENDOR ACCEPTANCE	
		*		*	
		FINISH		MATERIAL	
*		*		*	
SHEET 1 OF 2		DO NOT SCALE DRAWING		TOLERANCE: +/- * UNLESS OTHERWISE NOTED	

ALUMINUM DECK PLATE
(STANDOFF FROM BACK
WALL & REAR RAMP PORTION)



SECTION A-A

UNLESS OTHERWISE SPECIFIED DIMENSIONS ARE IN INCHES				
INTERPRET DIMENSIONS AND TOLERANCES PER ASME Y14.5M-1994				
PROPRIETARY AND CONFIDENTIAL THE INFORMATION CONTAINED IN THIS DRAWING IS THE SOLE PROPERTY OF BOB'S SPACE RACERS. ANY REPRODUCTION OR DISTRIBUTION TO 3RD PARTIES IN PART OR AS A WHOLE WITHOUT THE WRITTEN PERMISSION OF BOB'S SPACE RACERS IS PROHIBITED. VENDORS SIGNING THE VENDOR ACCEPTANCE FIELD AGREE TO THESE TERMS AND CONDITIONS.				
SHEET 2 OF 2		<< BOB'S SPACE RACERS >>		
		CAN SMASH GAME CABINET 12'		
ENGINEERING APPROVAL *	VENDOR ACCEPTANCE	DRAWN BY BSK DATE 4-6-16	PART NO. PRKNOK01	REVISION *
FINISH *		MATERIAL *		REVISION DATE *
DO NOT SCALE DRAWING		TOLERANCE: +/- * UNLESS OTHERWISE NOTED		