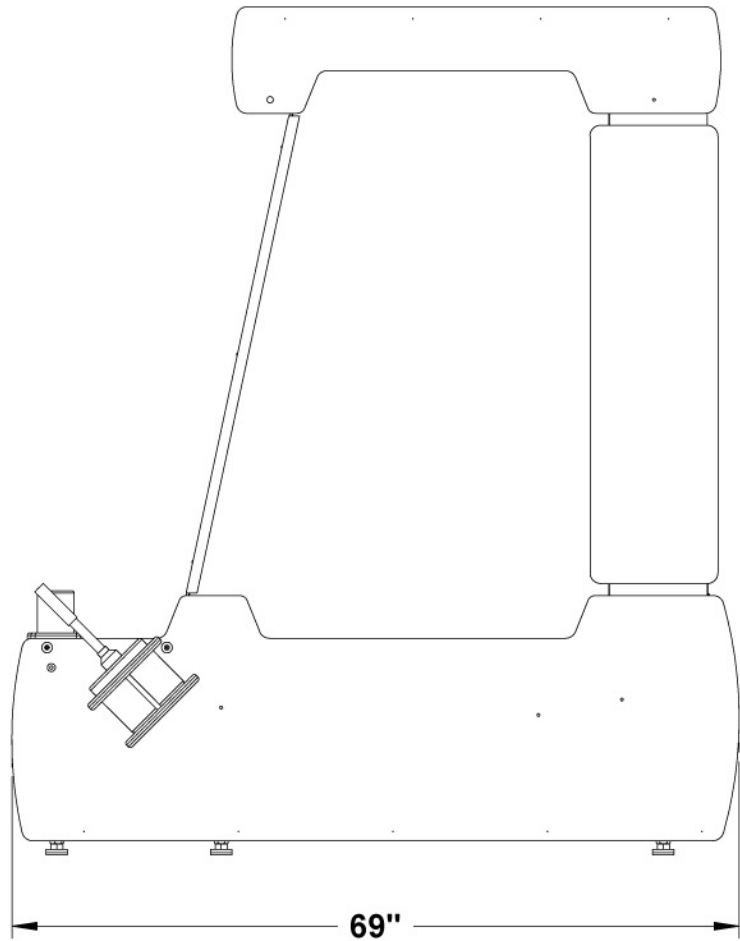
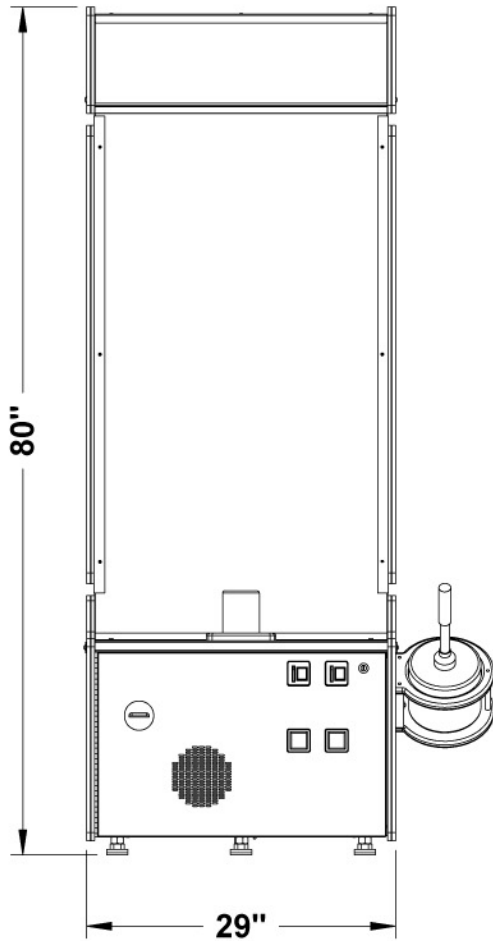


# DOG POUNDER



## Power Requirements

8 amps                      120 V

## Crated Dimensions & Weight

73" Long x 32" Wide x 92" High

Weight: 580 lbs.

## Bob's Space Racers, Inc.

427 15th Street  
Daytona Beach, FL 32117

PH: 386-677-0761

FAX: 386-677-0794

Web: <http://www.BobsSpaceRacers.com>  
E-mail: [Sales@BobsSpaceRacers.com](mailto:Sales@BobsSpaceRacers.com)

Serving the amusement industry since 1970