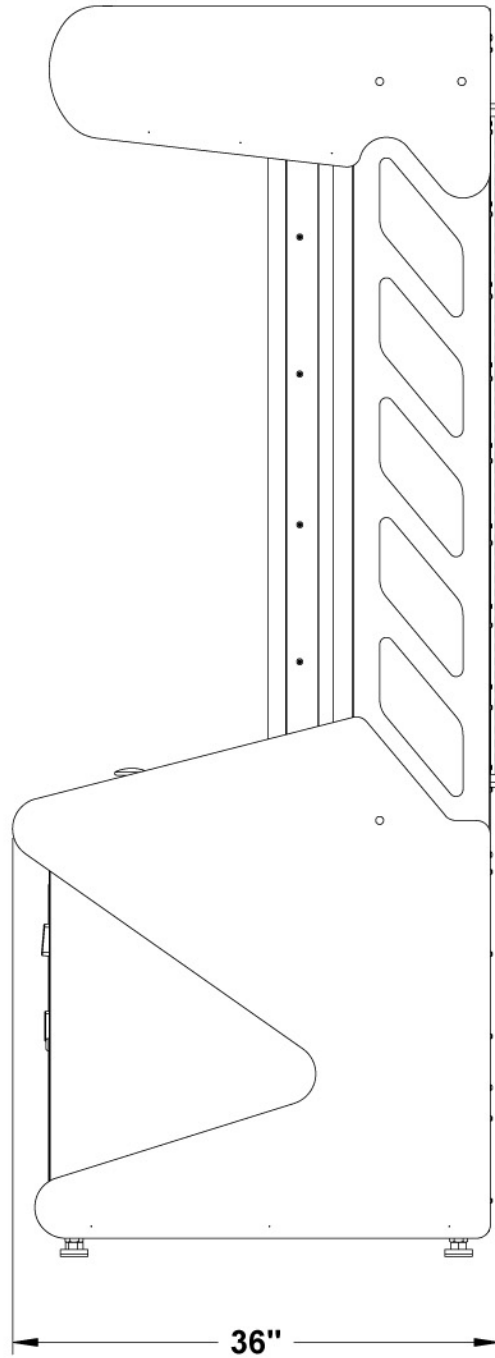
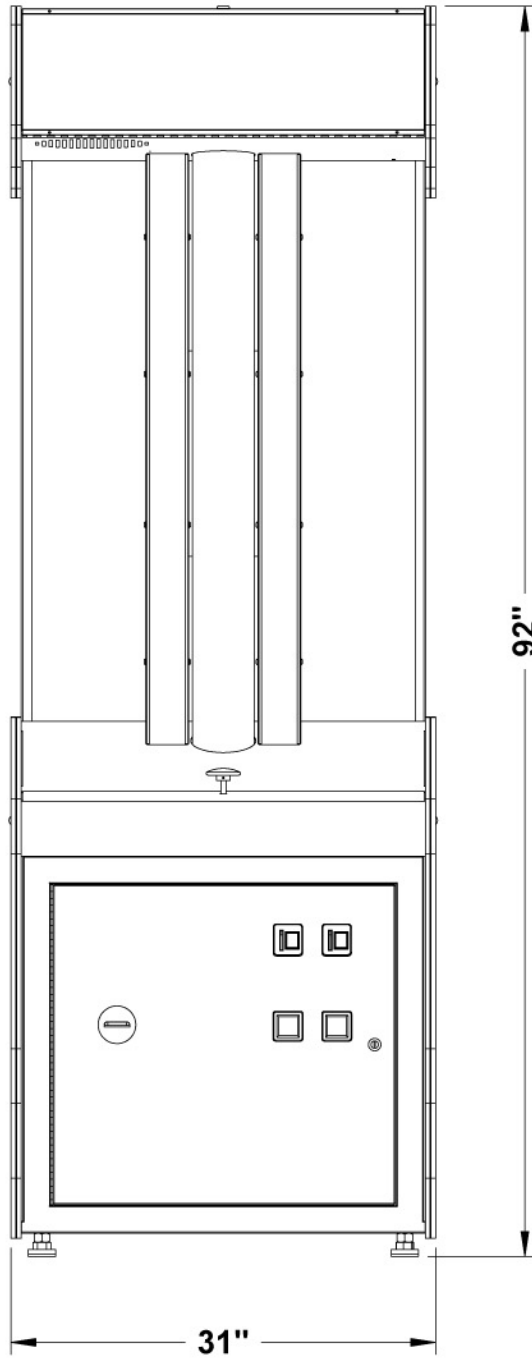


BUBBLE UP / THROTTLE UP



Power Requirements	
10 amps	120 V
Crated Dimensions & Weight	
48" Long x 37" Wide x 95" High	
Weight: 444 lbs.	

Bob's Space Racers, Inc.

427 15th Street
 Daytona Beach, FL 32117
 PH: 386-677-0761
 FAX: 386-677-0794
 Web: <http://www.BobsSpaceRacers.com>
 E-mail: Sales@BobsSpaceRacers.com

Serving the amusement industry since 1970