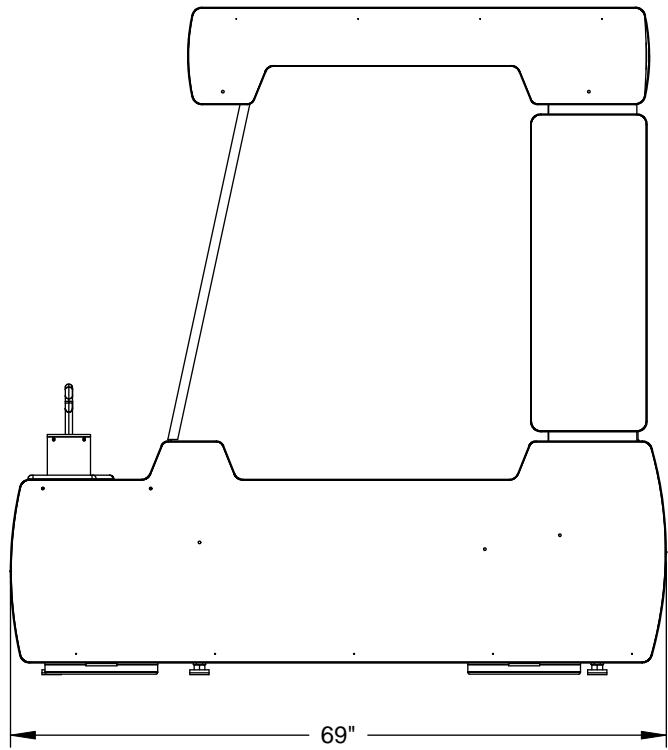
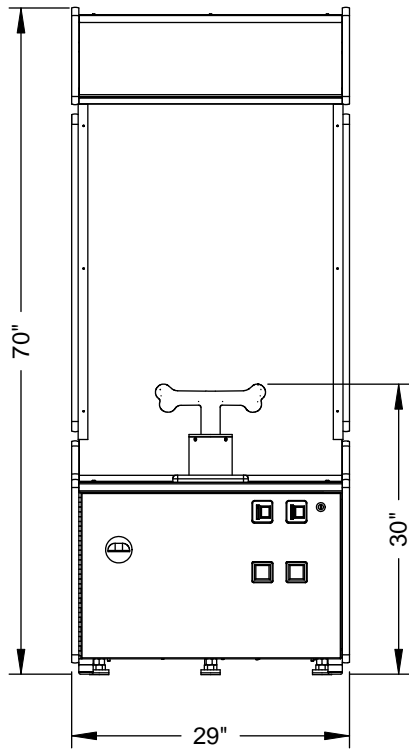


BIG DOG



**ALL PARAMETERS ARE
APPROXIMATE AND SUBJECT TO
CHANGE WITHOUT NOTICE**

Power Requirements	
8 amps	120 V
Crated Dimensions & Weight	
75" Long x 34" Wide x 76" High	
Weight: 597lbs.	

Bob's Space Racers, Inc.

427 15th Street
Daytona Beach, FL 32117
PH: 386-677-0761
FAX: 386-677-0794

Web: <http://www.BobsSpaceRacers.com>
E-mail: Sales@BobsSpaceRacers.com

Serving the amusement industry since 1970